

# Finding the Computational Memory Lab



## Walking from 30<sup>th</sup> Street Station:

- Head south toward N. 30<sup>th</sup> St, and then turn right onto Market St
- Turn left onto S. 33<sup>rd</sup> St, then make a slight right onto Woodland Walk (a diagonal path that starts at Chestnut St and 34<sup>th</sup> St)
- Turn right onto Walnut St, and then walk to the 3417 Walnut Street door

## Garage Parking:

Parking Garage 37 on 34<sup>th</sup> St and Ludlow St

|                |                 |                |                  |
|----------------|-----------------|----------------|------------------|
| <b>Mon-Fri</b> | <b>6am-10am</b> | <b>Mon-Fri</b> | <b>10am-11pm</b> |
| \$17.00        | / entire stay   | \$12.00        | / entire stay    |

Payments accepted: coins, bills, credit cards

Height restrictions: 6' 8"

## Metered Street Parking:

Street parking available on most streets via multi-space kiosks

\$2.00/1 hour

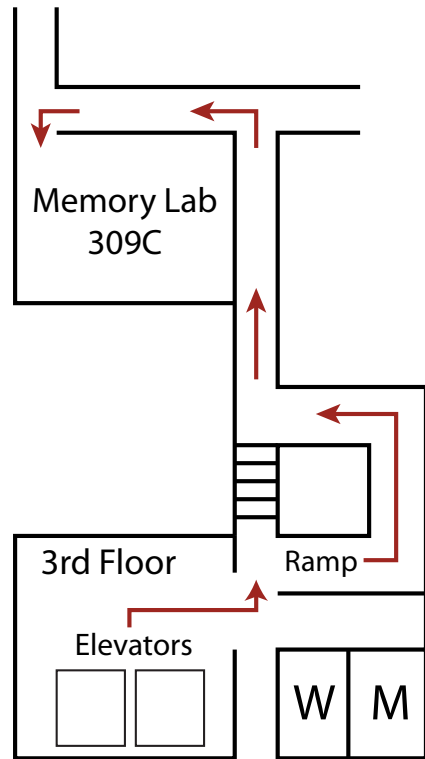
Payments accepted: \$.25, \$1, \$2, and \$5 bills, Smart Cards, and credit cards

2-3 hour parking limits

The entrance to our building:



Directions within the building:



The entrance to our building between CVS/pharmacy and Modern Eye